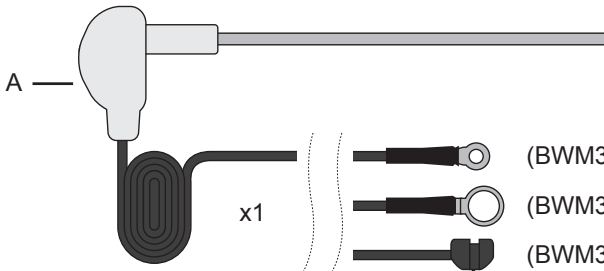
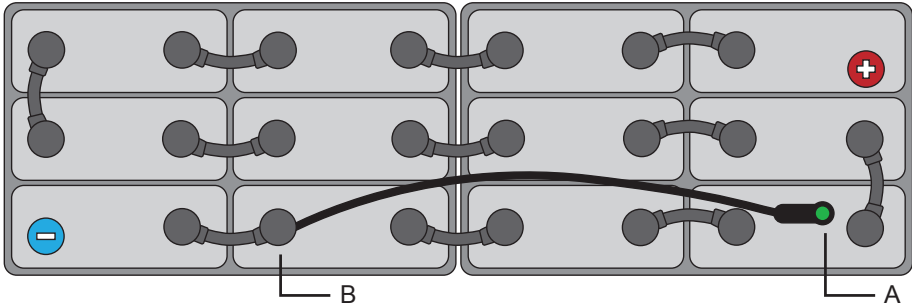


Blinky™

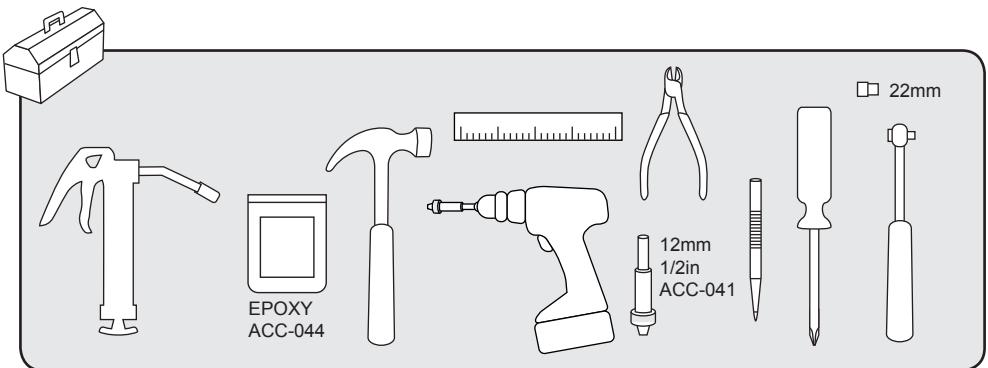
Screw (S)/ Bolt (B)/ FlexiTap(Q)

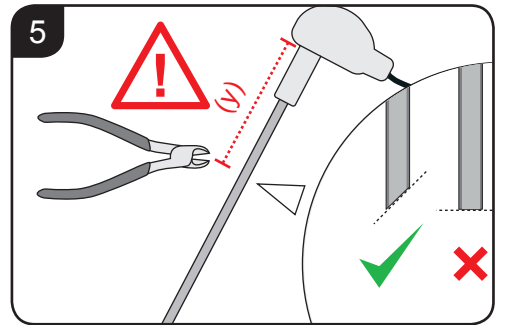
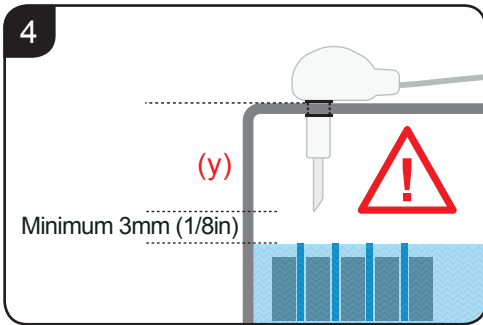
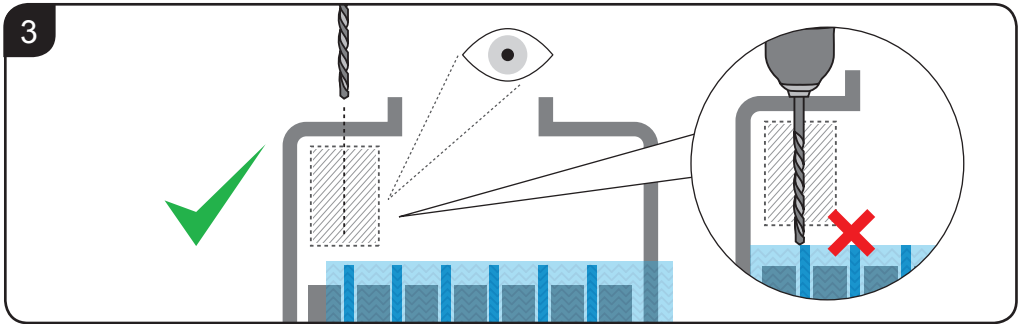
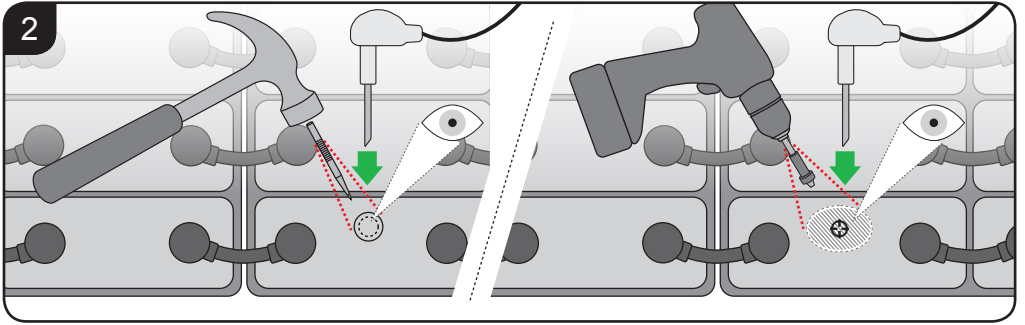
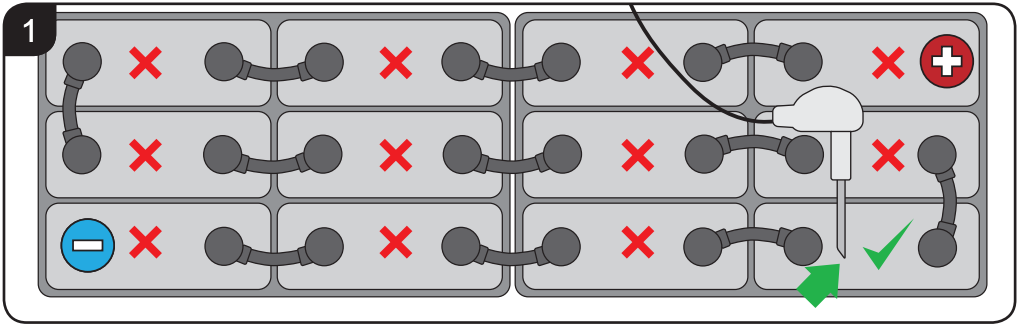


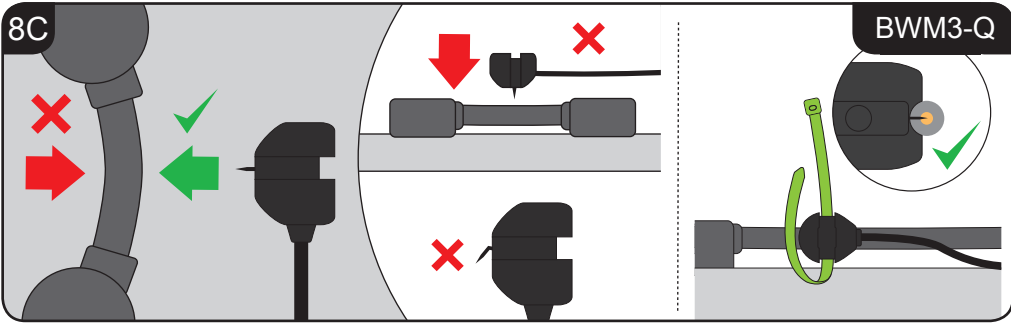
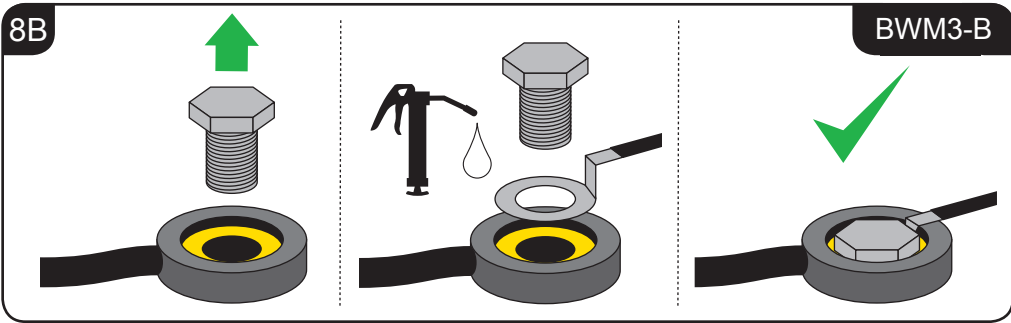
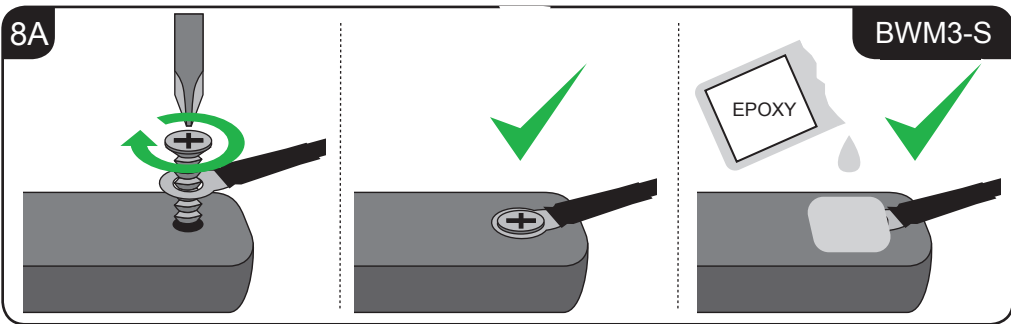
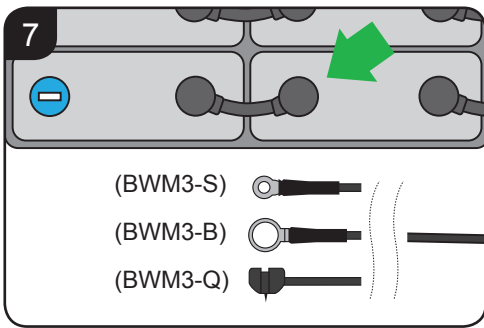
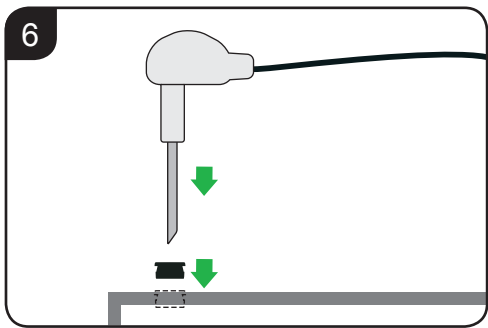
ACC-BWM3-S/B/Q



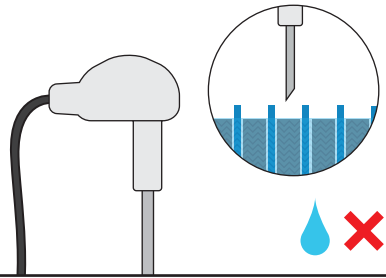
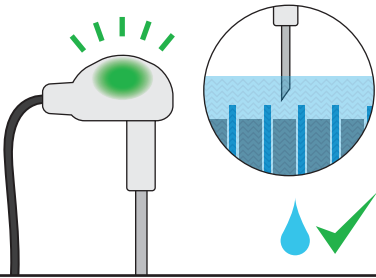
- (BWM3-S)  
-  x2



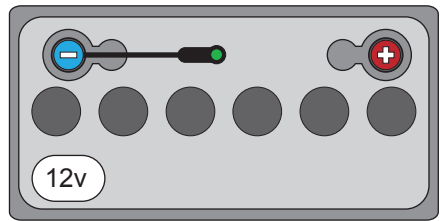
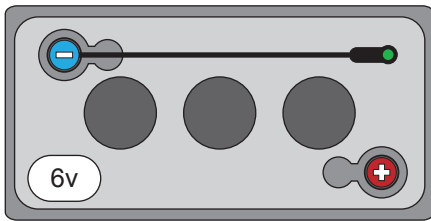




9



Monobloc



Philadelphia Scientific[®]
industrial battery innovation

Americas: Info@phlsci.com
EMEA: info@ps-europe.net
Asia Pacific: info@phlsci.com.au
www.phlsci.com

Copyright © 2015 by Philadelphia Scientific LLC. All Rights Reserved.
Philadelphia Scientific and the PS logo are registered trademarks of Philadelphia Scientific LLC. Blinky is a trademark of Philadelphia Scientific LLC

DOC0074